



**GLIDE™**

SERIES

**X-6000**

**W-5000**



## TOUGH AND RELIABLE

CARBO Glide Hand Pallet Trucks will significantly improve your operations with their superior ergonomics and adaptability for countless applications.

Our pallet trucks are extremely easy to use shift after shift.

### Built Tough

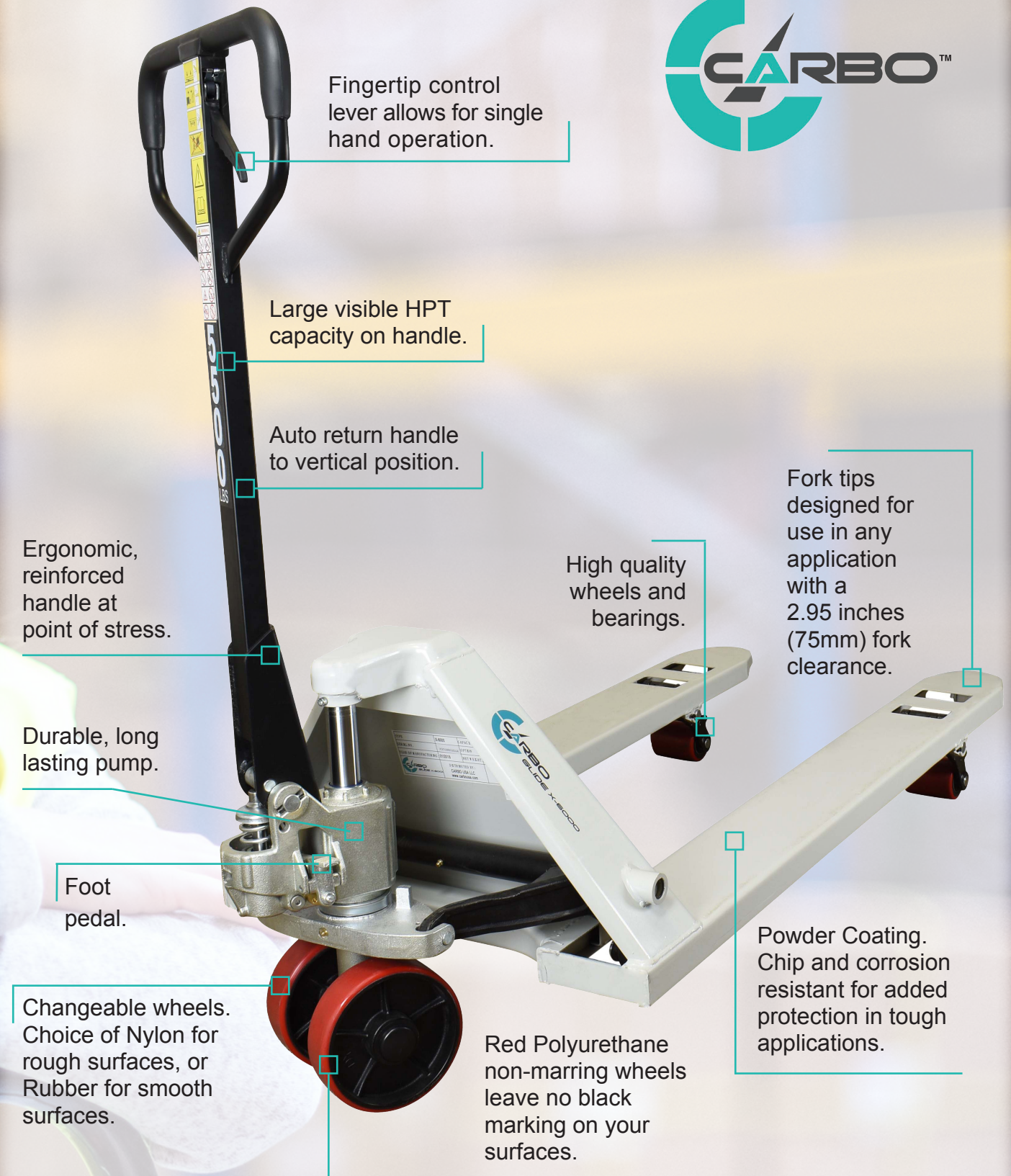
Tremendous Long Term Value. Our products are built to last, yet are easy to use in any part of your facility.

Our reputation is an essential part of each product we sell.

## DURABLE AND VERSATILE

It's built to last and designed for use in every part of your facility.

CARBO Pallet Trucks are your go-to-trucks.





## Precisely Engineered

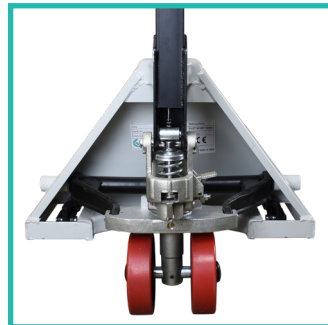
## Pumps & Pistons



- Fingertip control allows for single hand operation.



- Designed to reduce fatigue and improve productivity, the ergonomic handle features a neutral setting for easy maneuvering and a handle return spring that returns the handle to an upright position when released.



- Enclosed steering wheels axel - none swinging.
- Extra thick Polyurethane on steel.
- Engineered with high-quality compounds and sealed bearings.
- Double-sided dust protection bearings covers.

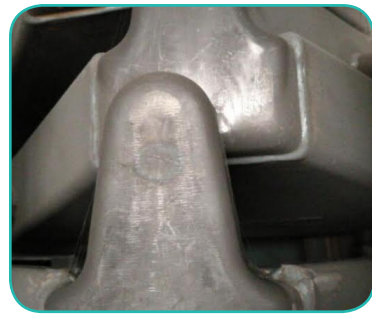


- Rugged design with generous use of materials provides longer life span.
- Low rolling-resistance polyurethane for smooth performance and handling.
- Entry/Exit Roller System



- Chrome-plated piston pump and ram guarantee longer life in harsh environments.
- Overloading protection valve.
- Type W comes with a fully casted one piece pump.
- Type X features a casting pump made of the toughest, highest quality materials.

# Chassis



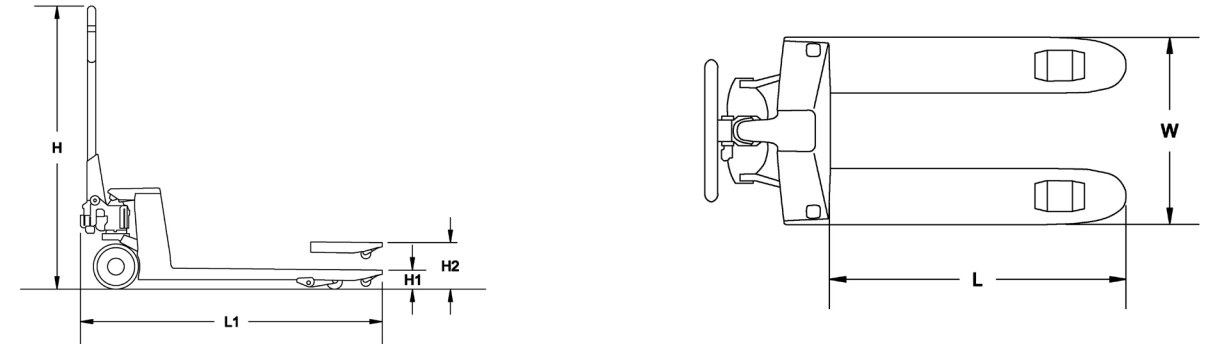
- Solid thick steel structure, smartly engineered Reinforced Steel Channels provide extreme strength.
- Steel entry brackets combined with rollers for durability and ease of entry/exit.
- Adjustable push rods on the reinforced channel forks resist twisting under heavy loads.
- Robotic-welded frame to maintain material strength.
- Self-greasing lubricated joint bushing.
- Three pivotal points oil fittings.

# Options

- Galvanized or Stainless Steel Frame
- Available lifting capacity: 7700, 11000 lbs
- Nylon or Rubber Wheels
- Speed Lift System
- Tandem Load Rollers
- Hand Brake
- Accessories Holder
- Shrink Warp Dispenser
- Tray
- Clipboards
- Phone Holder
- Tool Tub



# Standard GLIDE



## Technical Specifications\*

Hand Pallet Truck Type	Glide X-6000	Glide W-5000
Capacity (lb.)	5500	4400
Lowered Fork Height (in.)	2.95 H1	2.95 H1
Raised Fork Height (in.)	7.50 H2	7.50 H2
Turning Radius (Deg.)	210	190
Fork Width (in.)	6.30	6.00
Foot Pedal	Standard	Standard
Entry Rollers	Standard	Standard
Load Roller - Single	Polyurethane/Steel	Polyurethane/Steel
Steer Wheels - Double	Polyurethane/Steel	Polyurethane/Steel
Steering Wheel Size (in.)	7 x 2in. (180x50mm)	7 x 2in. (180x50mm)
Load Wheel Size (in.)	3.65 x 2.9in. (93x73.40mm)	3.65 x 2.9in. (93x73.40mm)
Overall length x Height (in.)	63 L1	48.5 H
<b>Available Sizes (in.)</b>	L (Fork Length)	W (Width)
PTX-4827-R, PTW-4827-R	48	27
PTX-4820-R, PTW-4820-R	48	20.5
PTX-4327-R, PTW-4327-R	43.3	27
PTX-4320-R, PTW-4320-R	43.3	20.5
PTX-3620-R, PTW-3620-R	36	20.5
PTX-3617-R, PTW-3617-R	36	17.7

\* Specifications above are for the standard 48"x 27" Hand Pallet Truck and it might differ for other sizes.

Also available in many different configurations, contact your local **CARBO USA** dealer or online at [carbousa.com](http://carbousa.com).



**CARBO USA**  
1541 Prudential Dr  
Dallas, Texas 75235  
**Tel 927.803.4040**  
**carbousa.com**

Since CARBO is continuously improving its products, specifications are subject to change without notice.

CARBO, the CARBO logo, the color feel, are trademarks of CARBO USA.

Copyright© 2018 CARBO USA  
Printed in USA